

ED910 Series Exit Devices



Certification & Compliance:

- ANSI/BHMA A156.3, Grade 1
- Underwriters Laboratories (UL and CUL) Listed for accident hazard (panic) standard.
- All exit devices comply with life safety code NFPA 101

Features:

- Chassis** – Stamped steel materials
- Chassis Cover** – Cast zinc
- Door Type** – Fits 1-3/4" (44.5 mm) doors standard.
- Door Width** – For 48" doors, can be cut for a minimum 43" door width. For 36" doors, can be cut for a minimum 31" door width.
- Stile** – 4-1/2" (144.30 mm) minimum
- Mounting** – Wood and machine screws furnished standard
- Handing** – Reversible
- Dogging** – Hex-type hold down

Finishes:

BHMA	Arrow Equiv.	Finish
689	AL	Aluminum (sprayed finish)
630	32D	Satin Stainless Steel
690	BRZ	Dark Bronze (sprayed finish)

For 36" Door Widths:

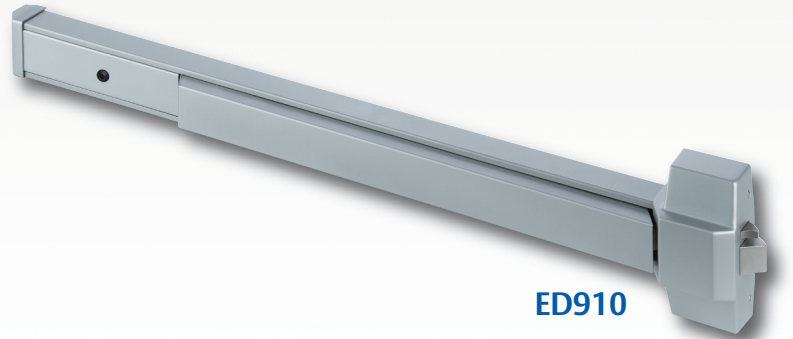
	Part No.
Aluminum Finish (sprayed)	ED910-36.AL/PEC910-36.AL
Satin Stainless Steel Finish	ED910-36.32D/PEC910-36.32D
Dark Bronze Finish (sprayed)	ED910-36.BRZ/PEC910-36.BRZ

For 48" Door Widths:

	Part No.
Aluminum Finish (sprayed)	ED910-48.AL
Satin Stainless Steel Finish	ED910-48.32D
Dark Bronze Finish (sprayed)	ED910-48.BRZ

Professional Replacement Products

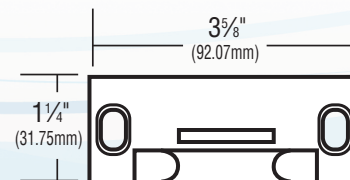
The ED910 and PEC910 exit devices are similar in function, yet different in form. The ED910 is a value exit device for everyday solutions whereas the PEC910 features a one-piece design with a patented permanent end cap – ideal for high traffic or high vandalism areas. Both products are BHMA Grade One certified and designed to replace or upgrade existing devices. Each also comes with an extended 10-year warranty.



ED910

- Latchbolt** – Stainless steel
- Rail Assembly** – Powder coated steel, stainless steel optional
- Warranty** – Ten year warranty
- Packaging** – 4 units per master carton
- Strike** – Surfaced applied, nylon coated

ES90 Strike:

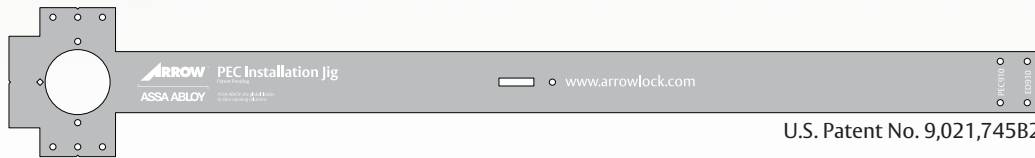
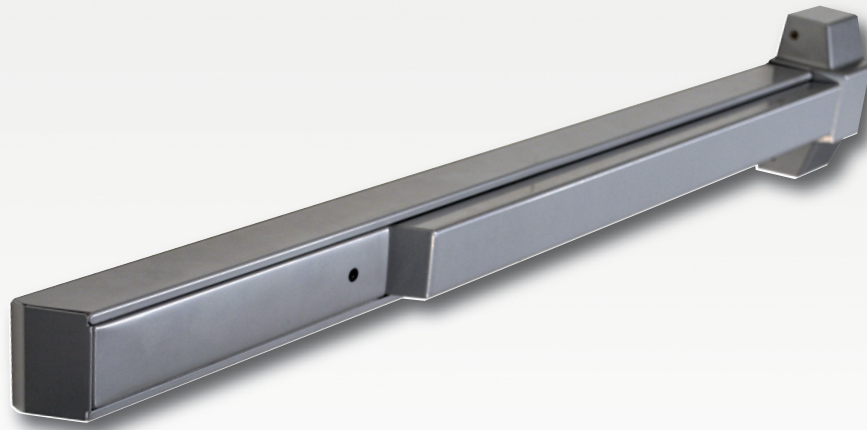


Parts:

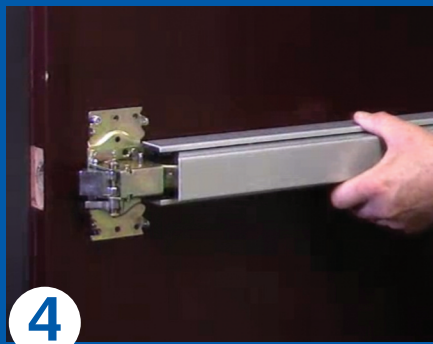
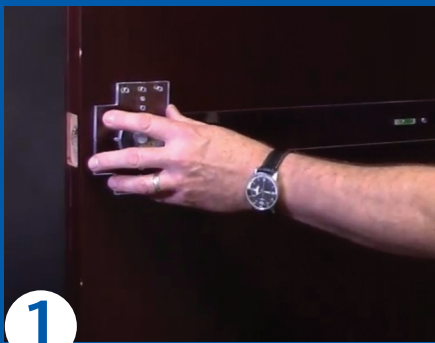
	Part No.
Strike	ES90
Screw Pack	ES9-201
End Cap (aluminum)	ES9CAP.AL
End Cap (dark bronze)	ES9CAP.BRZ

PEC910 Series Exit Device

Professional Replacement Products



- Precision Install with template, built-in end cap & slide-in mounting
- Patented Permanent End Cap and template
- Seamless one-piece design
- 10-year limited warranty
- Works with all Arrow S1150 and S1250 trims
- All metal construction
- For 31" to 36" door widths



- 1 Installation template to speed marking and drilling of holes
- 2 Rail mounting bracket hole for fast installation
- 3 Slotted hole in chassis allows exit device to slide into position
- 4 Bracket and slotted screw holes allows free hands to complete install

Exit Device Trim:

Matching trim available to complement: cylindrical locks, mortise locks, exit devices, and alarms.

Functions:

Passage – Trim always operative.

Storeroom – Key retracts latch, key removable only when trim is locked.

Classroom – Key locks/unlocks trim.

Ordering Information:

Trim Type	Passage	Storeroom	Classroom
Lever	SRX01	SRX82	SRX87
Ball Knob	BD01	BD12	BD17
Tudor Knob	TA01	TA12	TA17
Plate	SF01	SF12	n/a

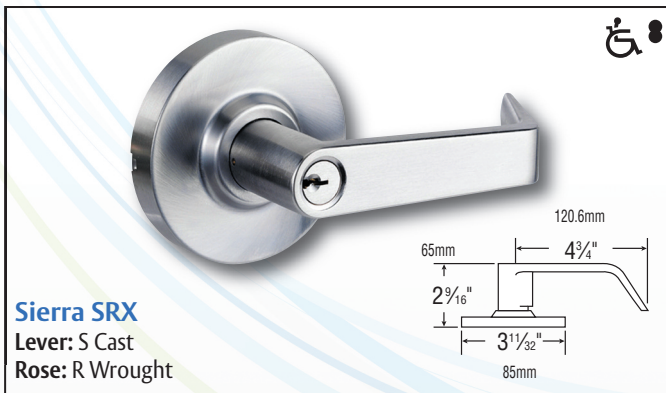
Finish:

Knobs: US3, US4, US10, US10B, US26D

Levers: US26D, US10B

Plate: AL, BRZ

Lever Trim:



Knob Trim:

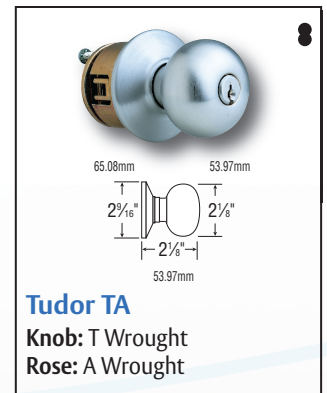
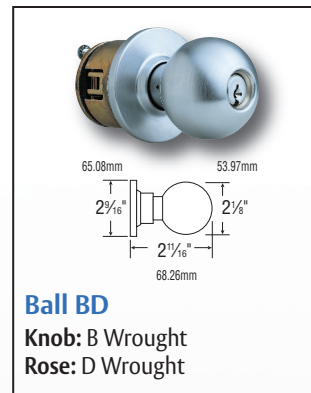
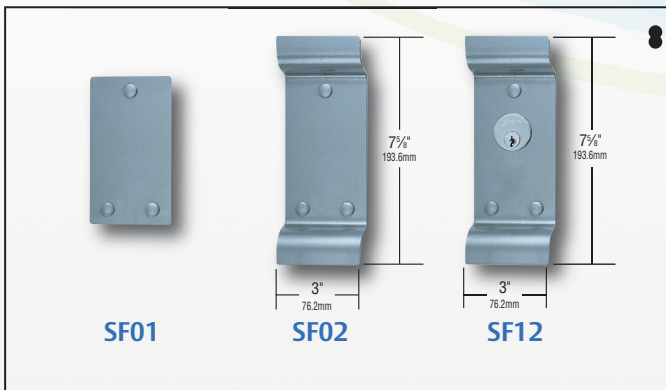


Plate Trim:



Available for small format interchangeable core.